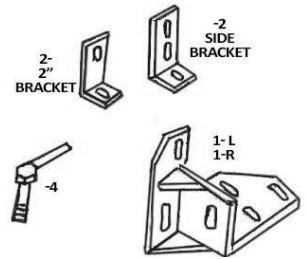


CATTLEMAN INSTALLATION SHEET

2015-2017 FORD F-150 FRONT END REPLACEMENT

PART #2345

	Bolts	LIC Plate	Sensor Panel
10	1/2 x 2 G8	2 1/4 x 3/4	3 1/4
2	1/2 x 6 G8	2 1/4 Nuts	3 1/4 Teflon Nuts
16	1/2 Nuts G8	2 1/4 Flat Washer	6 1/4 Nuts
16	1/2 Lock Washer G8	2 1/4 Lock Washer	
28	1/2 Flat Washer G8		



Step 1 Remove Factory Bumper, then remove tow hook covers, and then remove tow hooks.

Step 2 Place support bracket on the back of the factory bumper bracket. Under the frame, put the tow hook under the support bracket and use same tow hooks factory bolts.

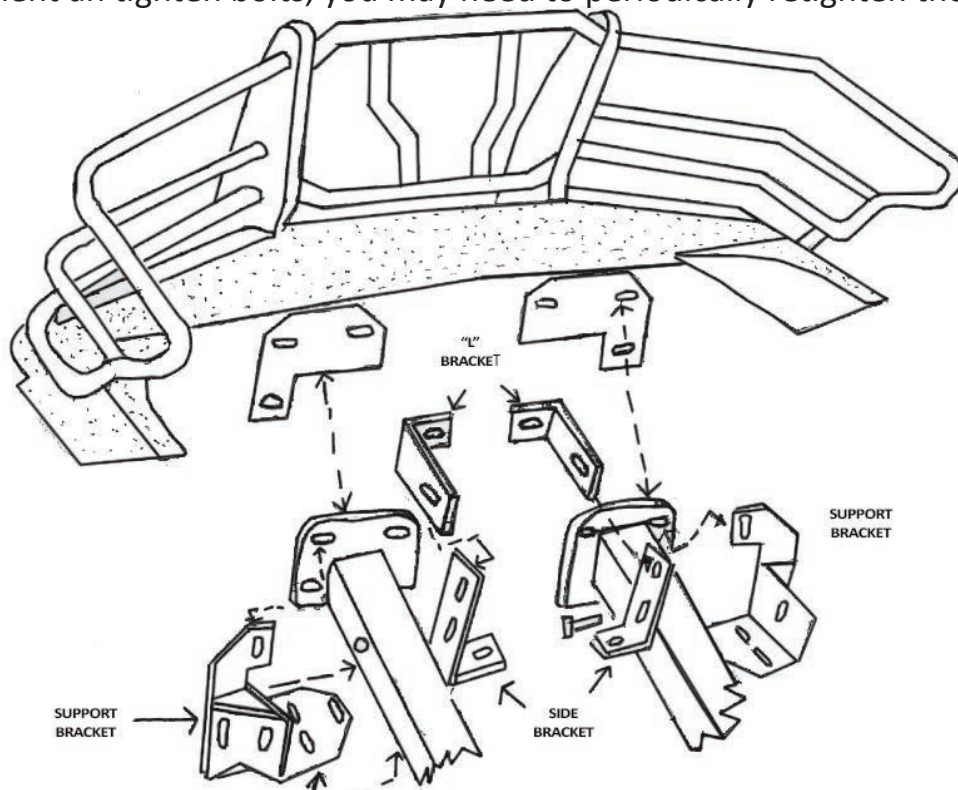
Step 3 Put replacement bumper in place and bolt on.

Step 4 On the inside, between the frame, put the two "L" support brackets as shown.

Step 5 If a sensor panel is present on the factory bumper, remove it. Also remove it from the factory bracket. Do not remove the rubber gasket on the replacement bumper. There is a 3 5/16" square hole, put a 1/4 x1 bolt and 1/4 Nut in and tighten it, put the sensor panel in place and bolt on with the 3 1/4 Teflon nuts.

Step 6 Remove light from factory housing if present, put the lights on the replacement light bracket.

Step 7 Check alignment and tighten bolts, you may need to periodically retighten the bolts.



www.cattlemanhd.com

