

# CATTLEMAN INSTALLATION SHEET

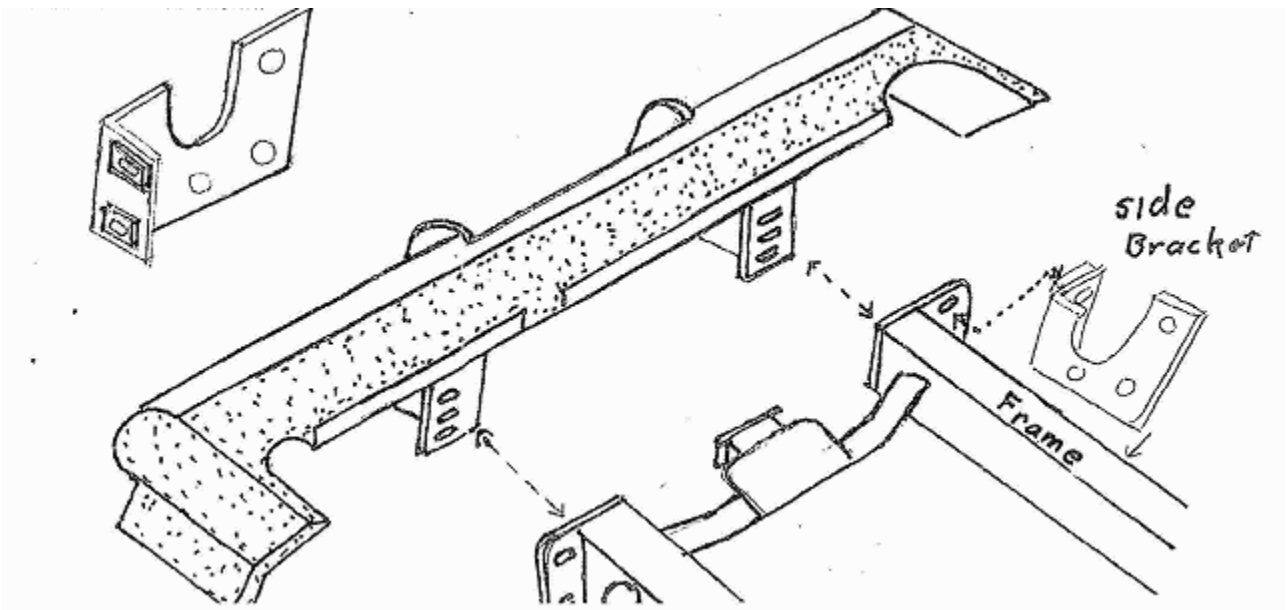
10-11 Dodge Ram 2500/3500 Rear bumper

Part#4224/4226/4206

## Kit Includes:

- 4- ½ x 2 ½ Bolts G-8
- 4- ½ Nuts
- 4- ½ Lock washers
- 8- ½ Flat washers
- 2- ¼ x ¾ Bolts
- 2- ¼ Nuts
- 2- ¼ Lock washers
- 2- ¼ Flat washers

- Step #1** Remove factory rear bumper, do not remove receiver hitch.
- Step #2** Remove 3 factory bolts on the rear side of the frame as shown.
- Step #3** Put the bumper support bracket on the back of the factory bumper mount and the side of the frame as shown.
- Step #4** Put the replacement rear bumper in place and bolt it together with the side bracket as shown. Check alignment on the bumper and tighten bolts.
- Step #5** You may need to periodically retighten the bolts.



[www.cattlemanhd.com](http://www.cattlemanhd.com)

