

# CATTLEMAN INSTALLATION SHEET

2003-2006 DODGE RAM 2500/3500  
10" DROP DUALY REAR BUMPER

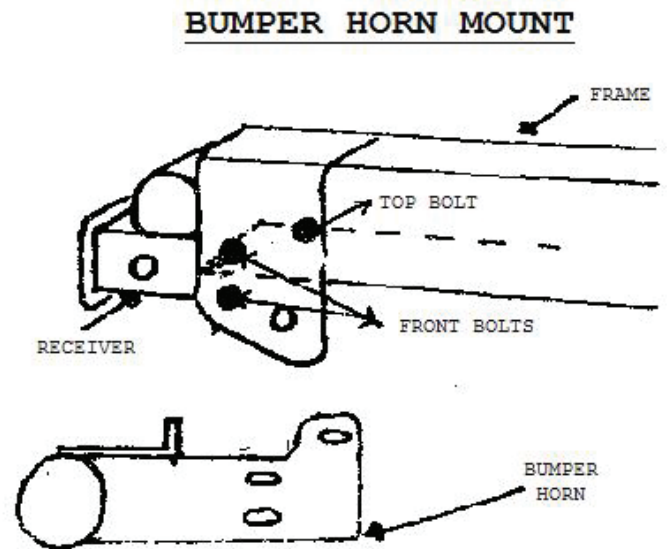
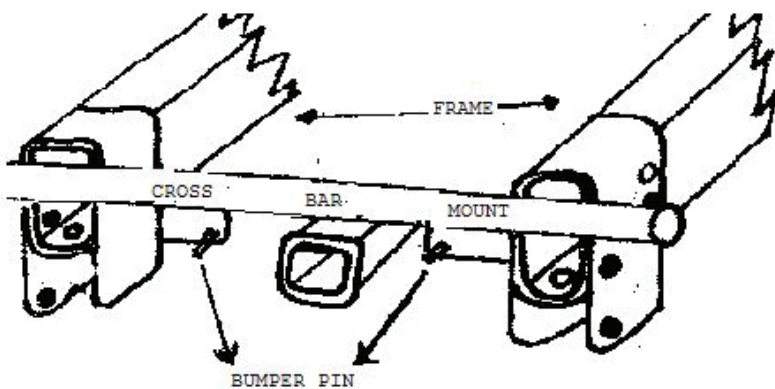
#4241

**Step 1** All 03-06 Dodge 3/4 and 1 ton trucks come with a cross bar bumper mount which are without receiver.

**Step 2** Remove factory bumper and remove pins as shown. Bumper pins have to be removed so new bumper can fit closer to the body.

**Step 3** Do not remove cross bar mount. It stays in place.

**Step 4** Remove two front bolts and one top bolt. Use the same factory bolts to install your new bumper.



[www.cattlemahd.com](http://www.cattlemahd.com)

