

CATTLEMAN INSTALLATION SHEET

02 DODGE QUAD 1500

PART # 4236

INSTALLATION KIT

REAR BUMPER	LIC. PLATE
6 - 1/2 X 2" BOLTS	2 - 1/4 X 3/4" BOLT
2 - 1/2 X 1 1/2" BOLTS	2 - 1/4" NUTS
8 - 1/2" NUTS	2 - 1/4" FLAT WASHER
8 - 1/2" LOCK WASHER	2 - 1/4" LOCK WASHER
16 - 1/2" FLAT WASHER	

STEP 1: Remove factory bumper and move bumper pins as shown: so new bumper can fit closer to the body.

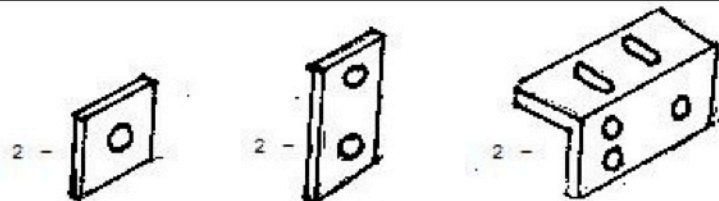
STEP 2: Do not remove cross bar mount. It stays in place.

STEP 3: Put angle support bracket on bottom of frame as shown.

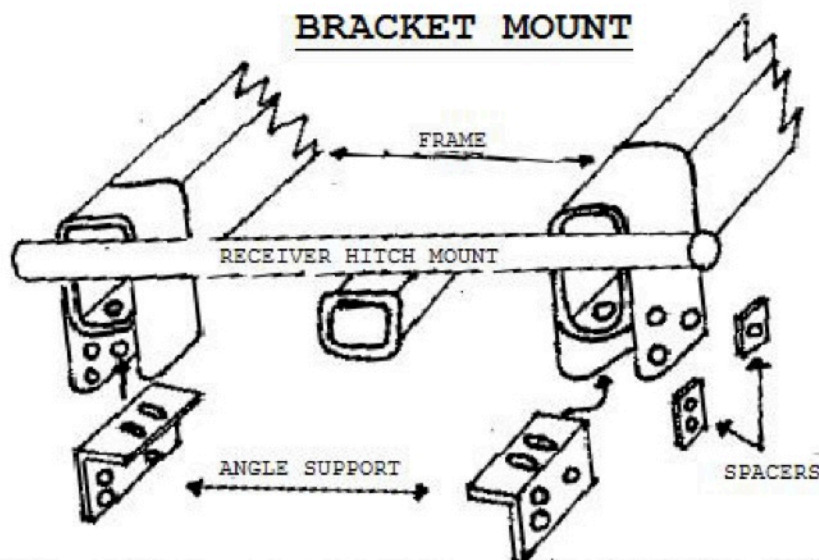
STEP 4: Put new bumper in place then put spacers on each side as shown.

STEP 5: Check alignment tighten bolts.

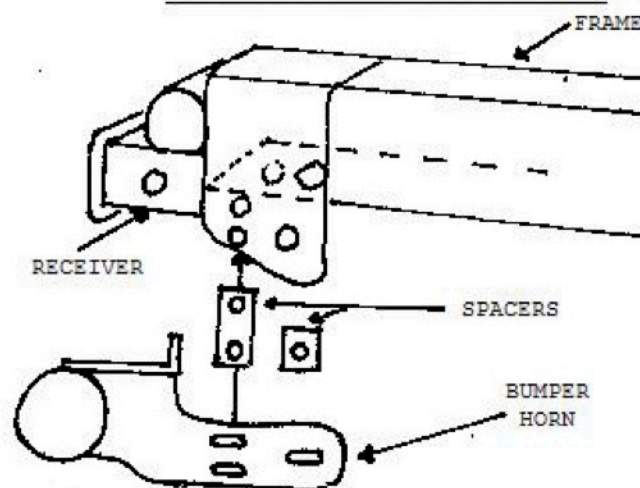
STEP 6: You may need to periodically retighten the bolts.



BRACKET MOUNT



BUMPER HORN MOUNT



www.cattlemanhd.com

