

# CATTLEMAN INSTALLATION SHEET

## 2010-2011 DODGE DUALY REAR BUMPER

PART # 4231

- |                            |                      |
|----------------------------|----------------------|
| 4 - 1/2" x 2 1/2" bolt G-8 | 2 - 1/4" x 3/4" bolt |
| 4 - 1/2" nut               | 2 - 1/4" nut         |
| 4 - 1/2" Lock Washer       | 2 - 1/4" Lock Washer |
| 8 - 1/2" Flat Washer       | 2 - 1/4" Flat Washer |

**STEP # 1** Remove factory rear bumper. Do not remove the receiver hitch .

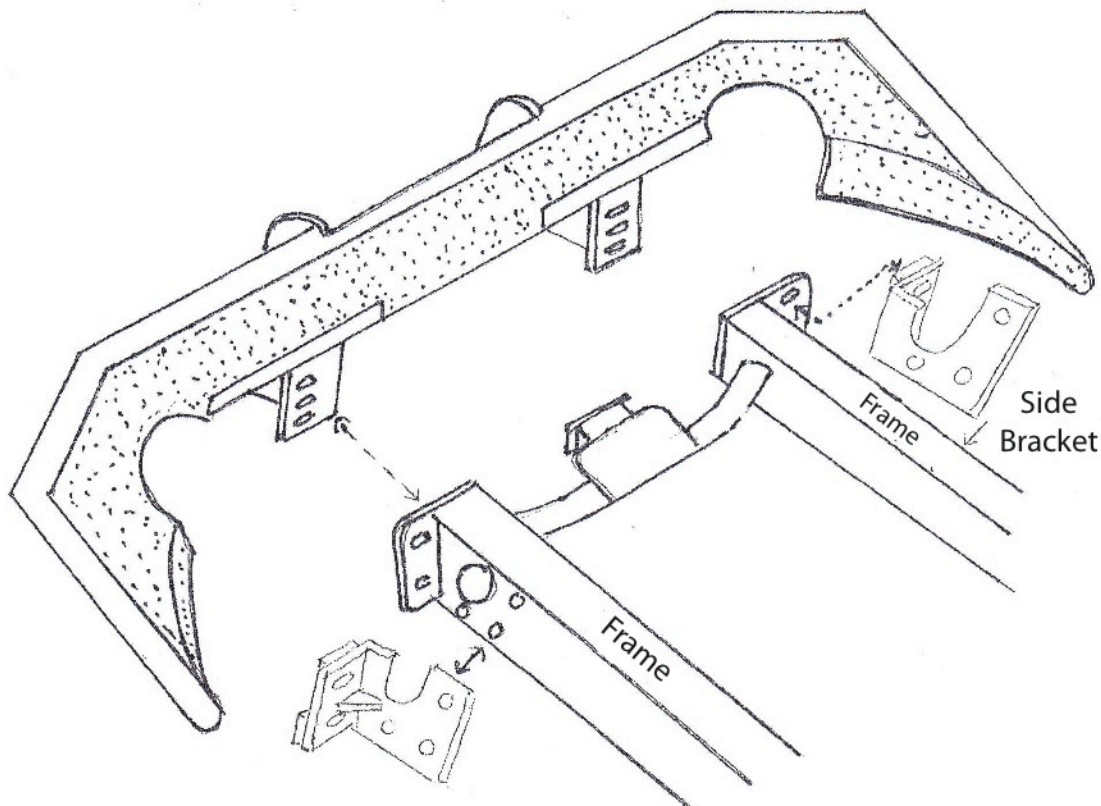
**STEP # 2** Remove 3 factory bolts on the rear side of the frame as shown.

**STEP # 3** Put the bumper support bracket on the back of the factory bumper mount and the side of the frame as shown

**STEP # 4** Put the replacement rear bumper in place and bolt it together with the side bracket as shown.

**STEP # 5** Check alignment on the bumper and tighten bolts.

**STEP # 6** You may need to periodically retighten the bolts



[www.cattlemahd.com](http://www.cattlemahd.com)

