

CATTLEMAN INSTALLATION SHEET

03-05 DODGE 3/4 TON

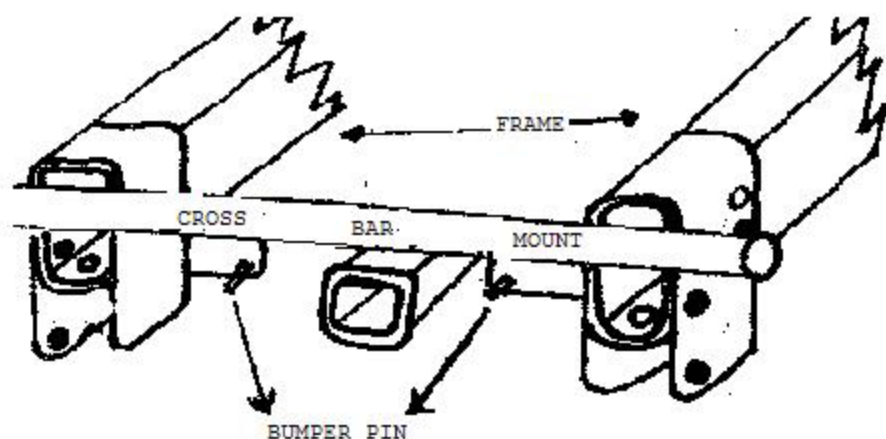
PART # 4221

STEP 1: All 03-05 Dodge 3/4 and 1 ton trucks come with a cross bar bumper mount which are without receiver.

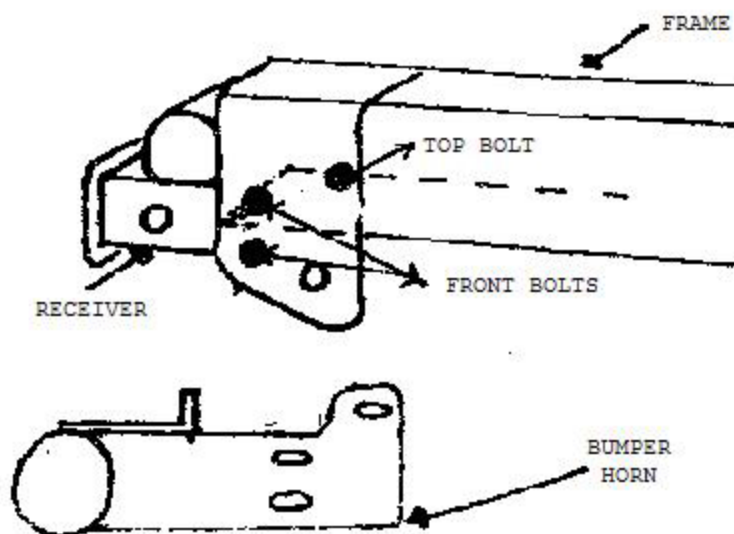
STEP 2: Remove factory bumper and remove bumper pins as shown. Bumper pins have to be removed so new bumper can fit closer to the body.

STEP 3: Do not remove cross bar mount. It stays in place.

STEP 4: Remove two front bolts and one top bolt. Use the same factory bolts to install your new bumper.



BUMPER HORN MOUNT



www.cattlemanhd.com

