

# CATTLEMAN INSTALLATION SHEET

2003-2009 DODGE RAM ALL MODELS (EXC. 09 2500/3500)  
7" DROP DUALY REAR BUMPER

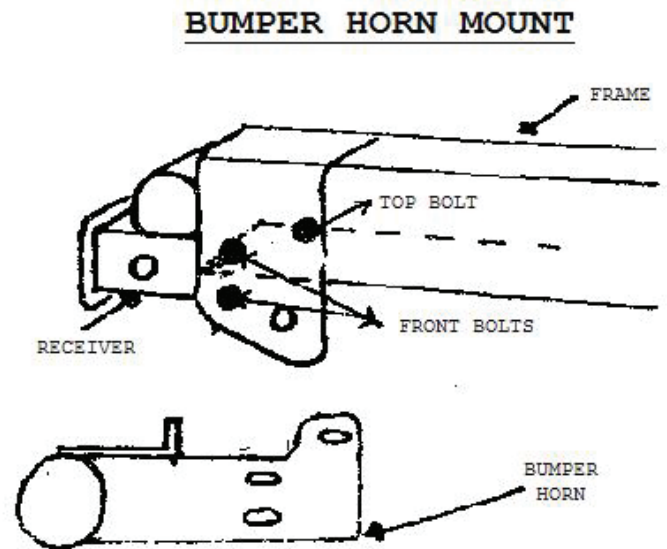
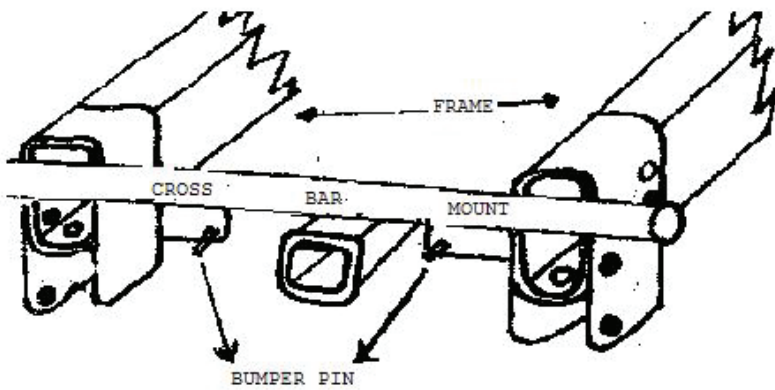
#4221

**Step 1** All 03-09 Dodge 3/4 and 1 ton trucks come with a cross bar bumper mount which are without receiver.

**Step 2** Remove factory bumper and remove pins as shown. Bumper pins have to be removed so new bumper can fit closer to the body.

**Step 3** Do not remove cross bar mount. It stays in place.

**Step 4** Remove two front bolts and one top bolt. Use the same factory bolts to install your new bumper.



[www.cattlemanhd.com](http://www.cattlemanhd.com)

