

CATTLEMAN INSTALLATION SHEET

2009-2011 DODGE 1500 REAR BUMPER

PART # 4214

- | | |
|----------------------------|----------------------|
| 4 - 1/2" x 2 1/2" bolt G-8 | 2 - 1/4" x 3/4" bolt |
| 4 - 1/2" nut | 2 - 1/4" nut |
| 4 - 1/2" Lock Washer | 2 - 1/4" Lock Washer |
| 8 - 1/2" Flat Washer | 2 - 1/4" Flat Washer |

STEP # 1 Remove factory rear bumper. Do not remove the receiver hitch .

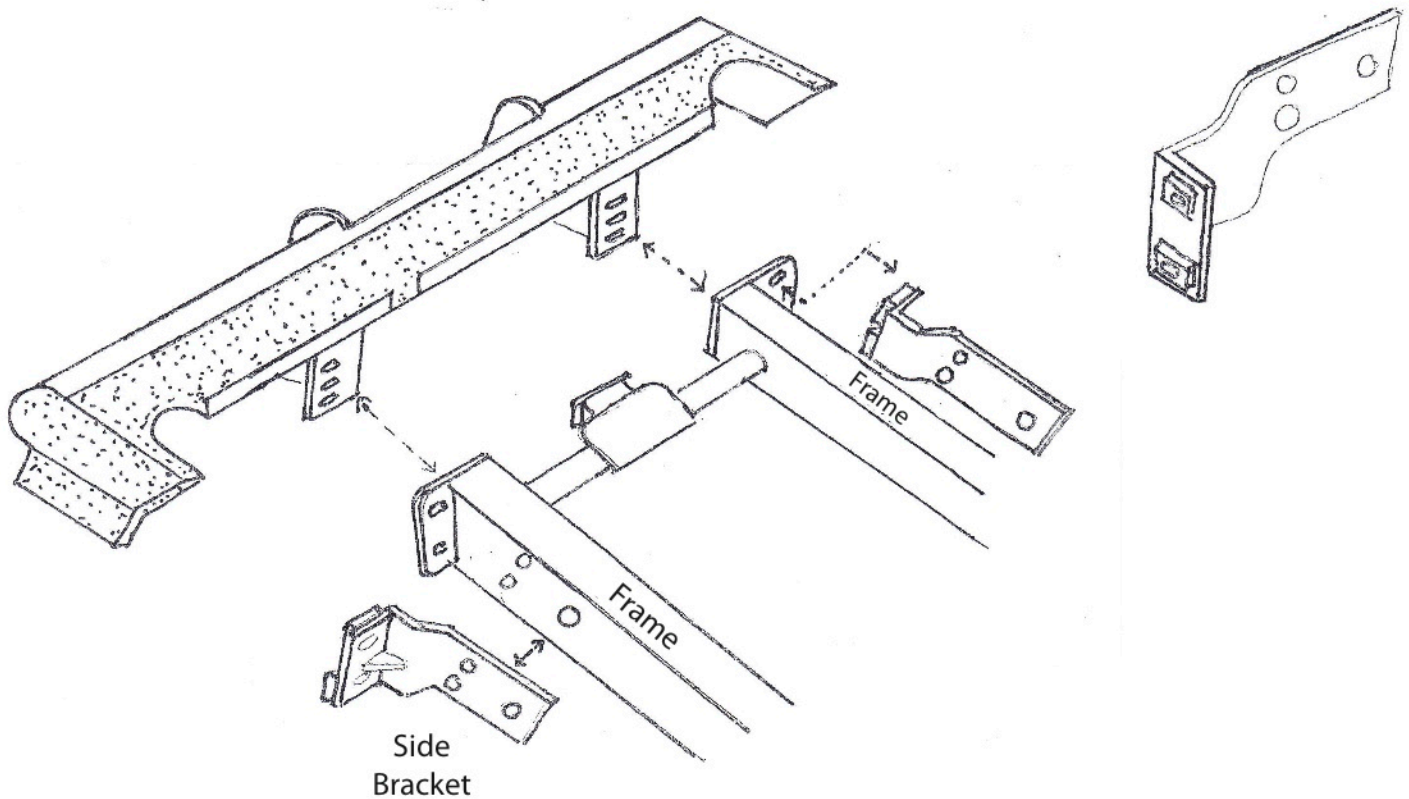
STEP # 2 Remove 3 factory bolts on the rear side of the frame as shown.

STEP # 3 Put the bumper support bracket on the back of the factory bumper mount and the side of the frame as shown

STEP # 4 Put the replacement rear bumper in place and bolt it together with the side bracket as shown.

STEP # 5 Check alignment on the bumper and tighten bolts.

STEP # 6 You may need to periodically retighten the bolts



www.cattlemanhd.com

