

CATTLEMAN INSTALLATION SHEET

03-04 GMC 1500 REPLACEMENT

PART # 2460

INSTALLATION KIT

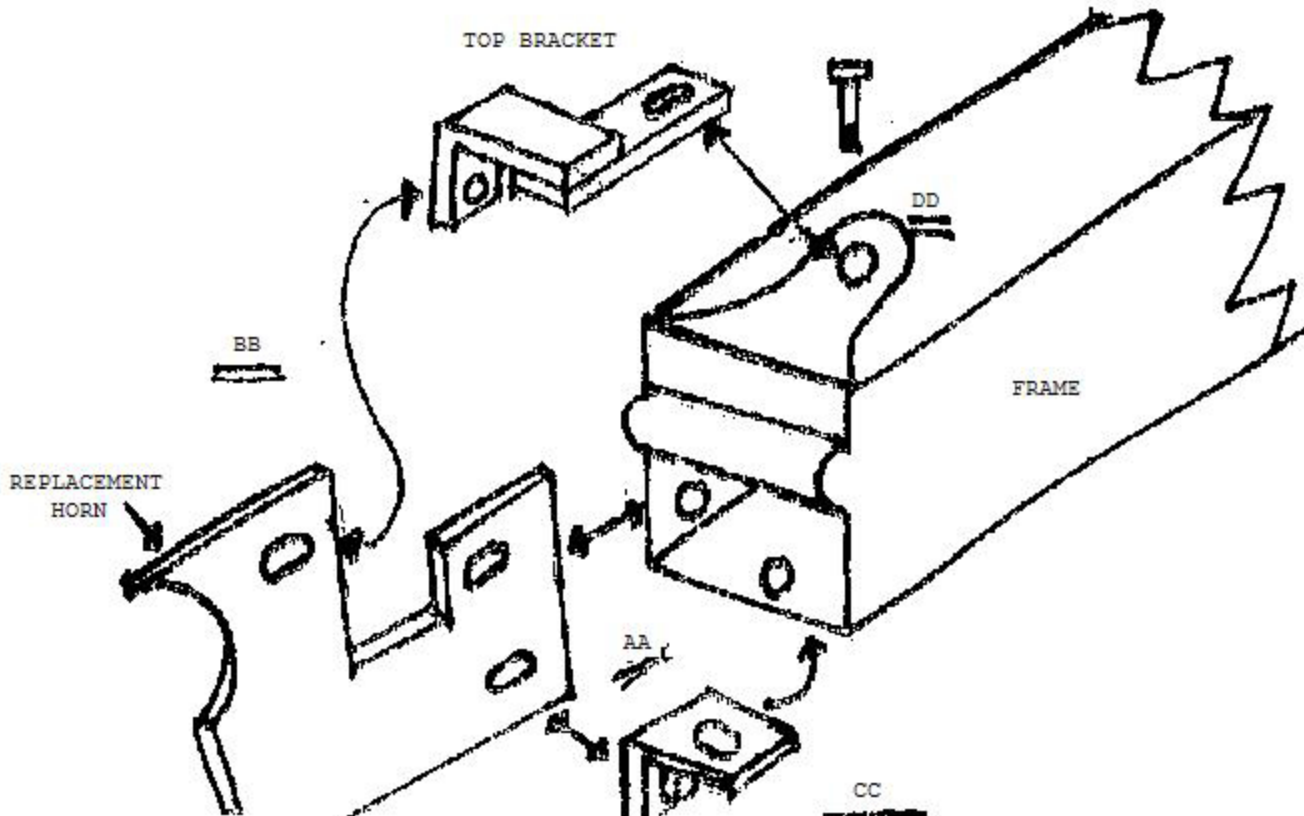
WRAP

- 8 - 1/2 X 2" BOLT
- 8 - 1/2" NUT
- 8 - 1/2" LOCK WASHER
- 16 - 1/2" FLAT WASHER

LIC. PLATE

- 2 - 1/4 X 3/4" BOLT
- 2 - 1/4" NUT
- 2 - 1/4" LOCK WASHER
- 2 - 1/4" FLAT WASHER

03-05 GMC 1/2 TON REPLACEMENT MOUNT



www.cattlemanhd.com

