

CATTLEMAN INSTALLATION SHEET

2011 FORD F250/F350 REPLACEMENT

PART # 2365

INSTALLATION KIT

4 - 1/2 X 2 1/2" BOLTS	LIC. PLATE
10 - 1/2 X 2" BOLTS	2 - 1/4 X 3/4" BOLTS
16 - 1/2" NUTS	2 - 1/4" NUTS
16 - 1/2" LOCK WASHER	2 - 1/4" FLAT WASHER
32 - 1/2" FLAT WASHER	2 - 1/4" LOCK WASHER

STEP 1: Remove factory bumper.

STEP 2: Place "U" bracket inside the frame. Bolt on to the 2 side frame holes, as shown.

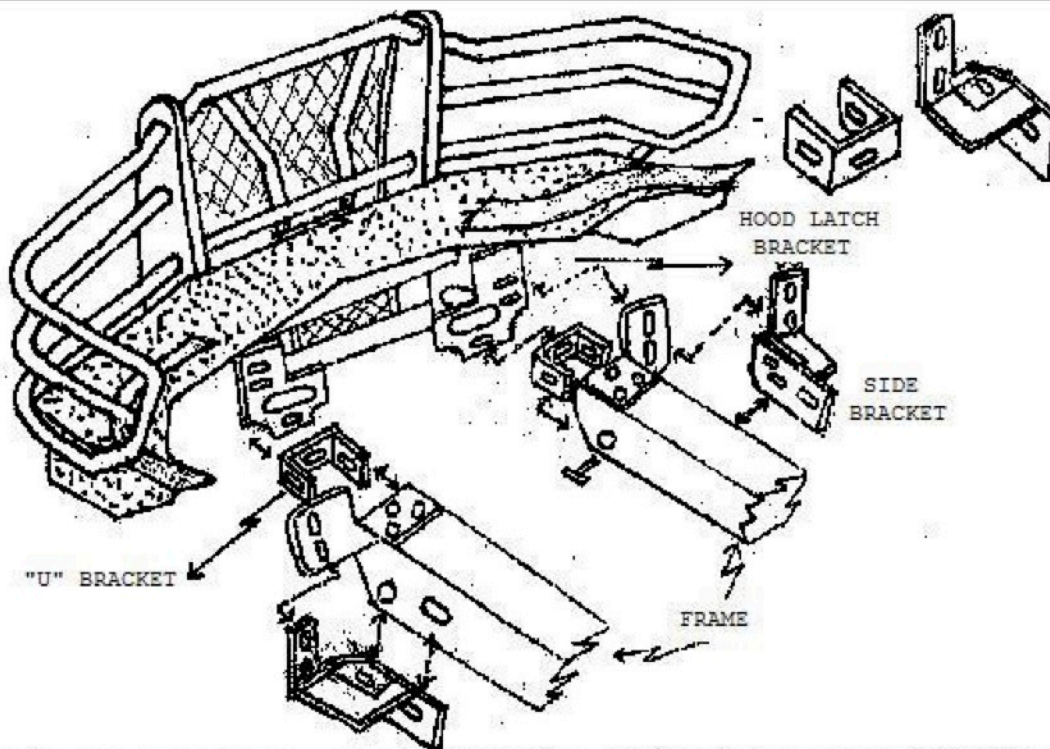
STEP 3: Put replacement bumper in place. Put 1/2" bolts on the 2 top holes and one on the "U" bracket as shown.

STEP 4: Place side bracket on the outside of the frame and bolt on to the back of the front bumper support bracket and to the side of the frame as shown.

STEP 5: Remove the lights from the factory bumper. Place them on the replacement light brackets.

STEP 6: Check alignment on the replacement bumper and tighten bolts.

STEP 7: You may need to periodically retighten the bolts.



www.cattlemanhd.com

