

CATTLEMAN INSTALLATION SHEET

2005 FORD F250 REPLACEMENT

PART # 2350

STEP # 1 Remove front bumper

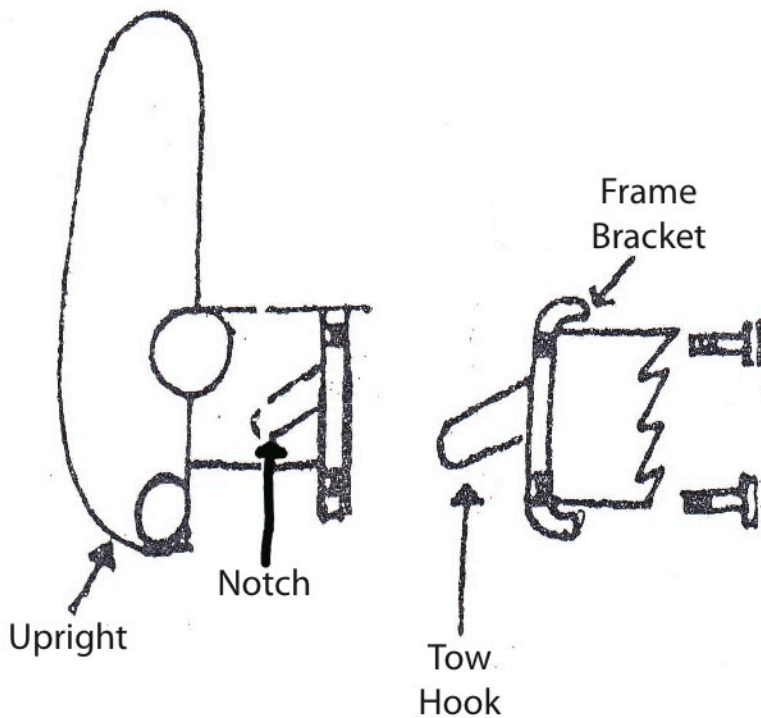
STEP # 2 Do not remove the tow hook, it stays in place

STEP # 3 Mount replacement bumper to the truck frame bracket. Bolt and adjust replacement with 4-1/2" x 2" bolt on each side.

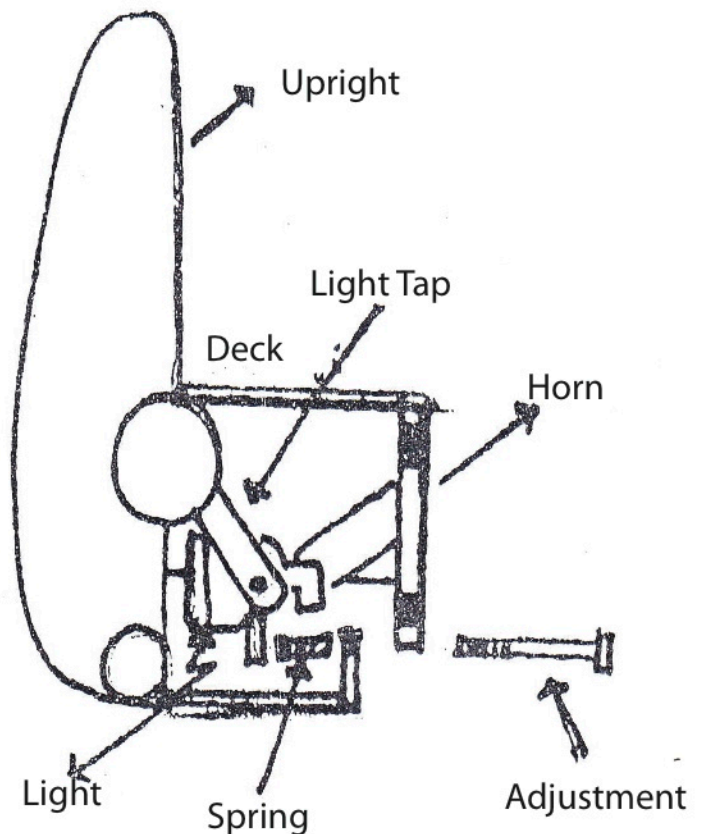
STEP # 4 Remove the lights from light bracket. To remove lights pull center pin on each side of the light. Remove adjustment screw.

STEP # 5 Place light on replacement tap. Use the same pins, adjustment screw, and spring as shown.

Replacement Mount



Light Mount



www.cattlemanhd.com

