

# CATTLEMAN INSTALLATION SHEET

2004 FORD F150 REPLACEMENT

PART # 2335

## BOLTS TO INSTALL

- 8 - 1/2" x 2" bolts
- 4 - 1/2" x 1 1/2" bolts
- 12 - 1/2" nuts
- 12 - 1/2" lock washers
- 24 - 1/2" flat washers

**STEP # 1** Remove front bumper and plastic trim

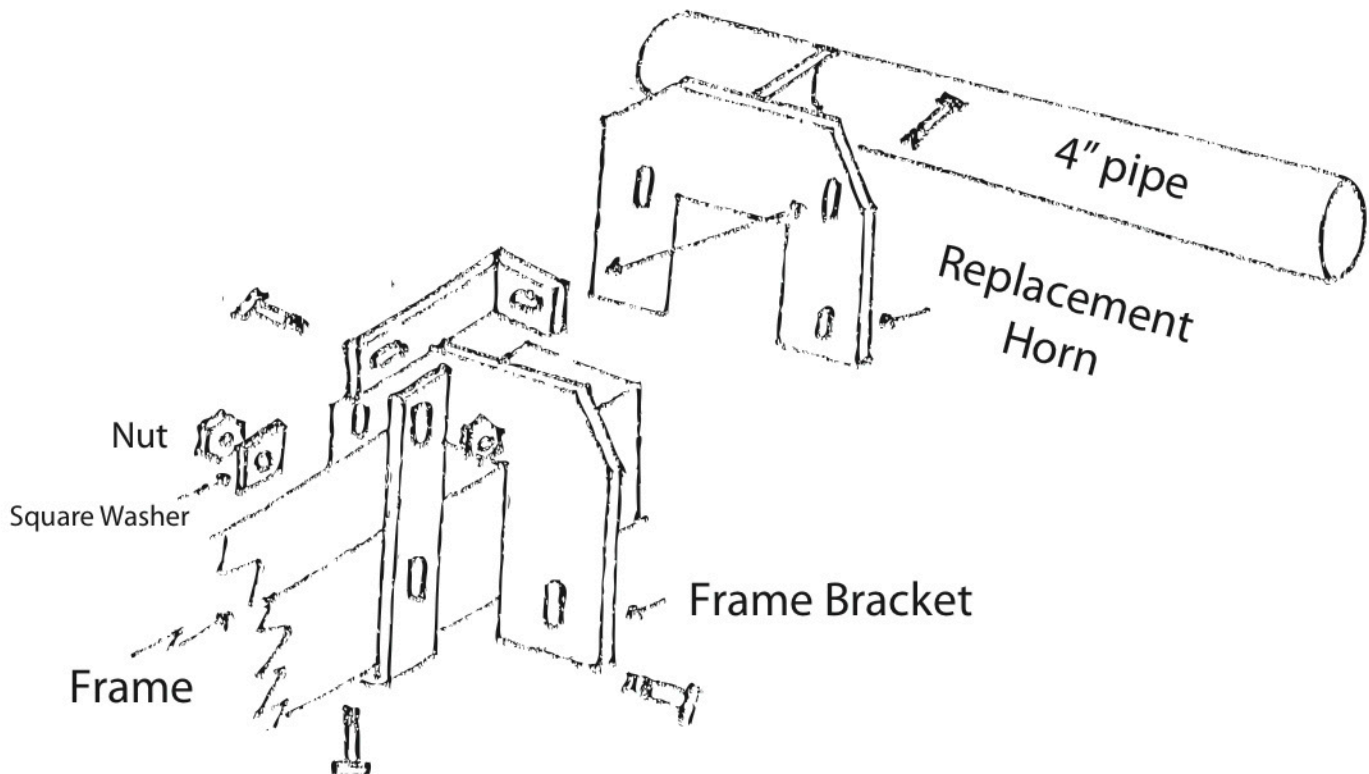
**STEP # 2** Remove hood latch and rubber taps

**STEP # 3** If truck has trim around the fenders you need to notch the trim

**STEP # 4** Mount replacement bumper to frame mounts and bolt on with 1/2" x 2"

**STEP # 5** Place replacement bracket to the frame end to the replacement horn as shown on drawing

## 04 Ford F150 Replacement Mount and Bracket



[www.cattlemanhd.com](http://www.cattlemanhd.com)

