

# CATTLEMAN INSTALLATION SHEET

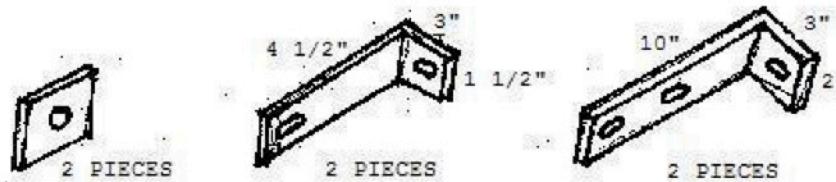
04-08 FORD F150 REPLACEMENT

PART # 2306

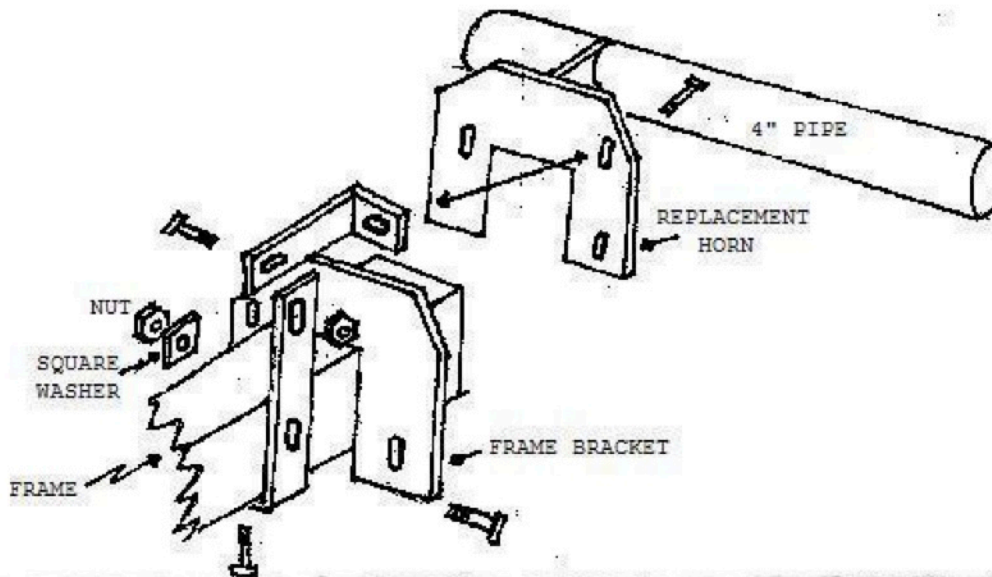
## INSTALLATION KIT

8 - 1/2 X 2" BOLT  
4 - 1/2 X 1 1/2" BOLT  
12 - 1/2" NUT  
12 - 1/2" LOCK WASHER  
24 - 1/2" FLAT WASHER

- STEP 1: Remove front bumper and plastic trim.
- STEP 2: Remove hood latch and rubber taps.
- STEP 3: If trucks have trim around the fenders, you need to notch the trim.
- STEP 4: Mount replacement bumper to frame mounts and bolt on with 1/2 X 2" bolts.
- STEP 5: Place replacement bracket to the frame end to replace the horn as shown on drawing.



## FORD F150 REPLACEMENT MOUNT & BRACKET



[www.cattlemanhd.com](http://www.cattlemanhd.com)

