

CATTLEMAN INSTALLATION SHEET

2003-2005 DODGE 3/4 REPLACEMENT

PART # 2207

INSTALLATION KIT

| BOLTS | LIC. PLATE |
|-----------------------|----------------------|
| 4 - 1/2 X 4 1/2" BOLT | 2 - 1/4 X 3/4" BOLT |
| 4 - 1/2" NUT | 2 - 1/4" NUT |
| 4 - 1/2" LOCK WASHER | 2 - 1/4" LOCK WASHER |
| 8 - 1/2" FLAT WASHER | 2 - 1/4" FLAT WASHER |

STEP 1: Remove the two bolts on the top side of the radiator bracket and remove rubber spacers (not shown).

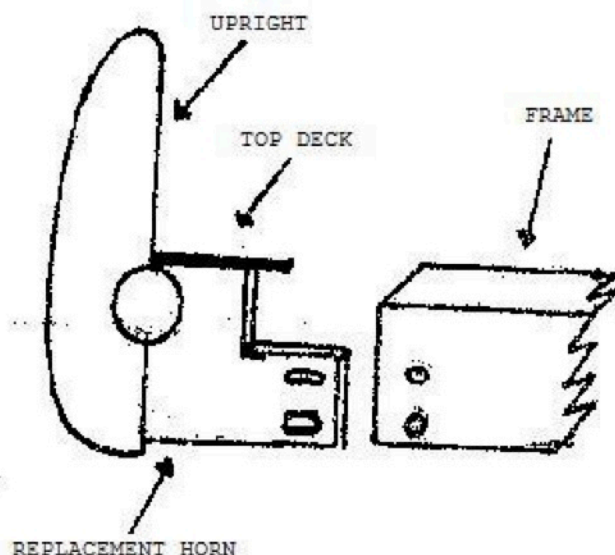
STEP 2: To remove the factory bumper you need to push on the top of the radiator to the back and up so you will be able to remove factory bolt.

STEP 3: Remove the lights with bracket and tabs. Bolt bracket to the replacement and place plastic caps on the hole using the bolts you removed.

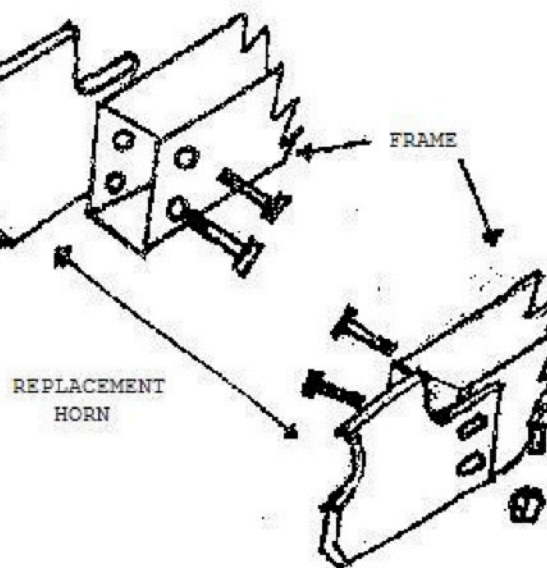
STEP 4: Place front end replacement on the outside of the frame as shown.

STEP 5: Check alignment on the replacement bumper and tighten bolts.

REPLACEMENT MOUNT



HORN MOUNT



www.cattlemanhd.com

