

# CATTLEMAN INSTALLATION SHEET

**94-02 DODGE ALL MODELS (EX 02 1500)  
BULLNOSE**

**# 2201**

**Inst Wrap**

6 - 1/2 x 2 Bolt  
6 - 1/2 Nut  
6 - 1/2 Lock Washer  
12 - 1/2 Flat Washer

**Lic Plate**

2 - 1/4 x 3/4 Bolt  
2 - 1/4 Nut  
2 - 1/4 Lock Washer  
2 - 1/4 Flat Washer

**Light Bolts**

4 - 5/16 Nut  
4 - 5/16 Flat Washer  
4 - 5/16 Lock Washer

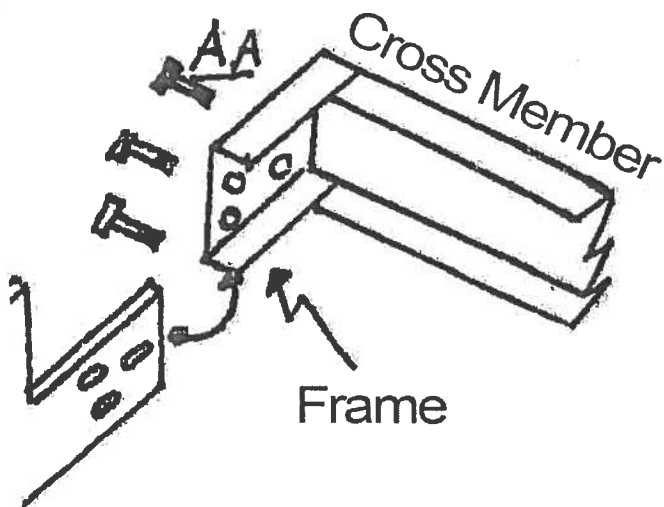
**Step 1** - Remove front bumper

**Step 2** - Mount replacement bumper to the inside of the frame and holt on as show on AA

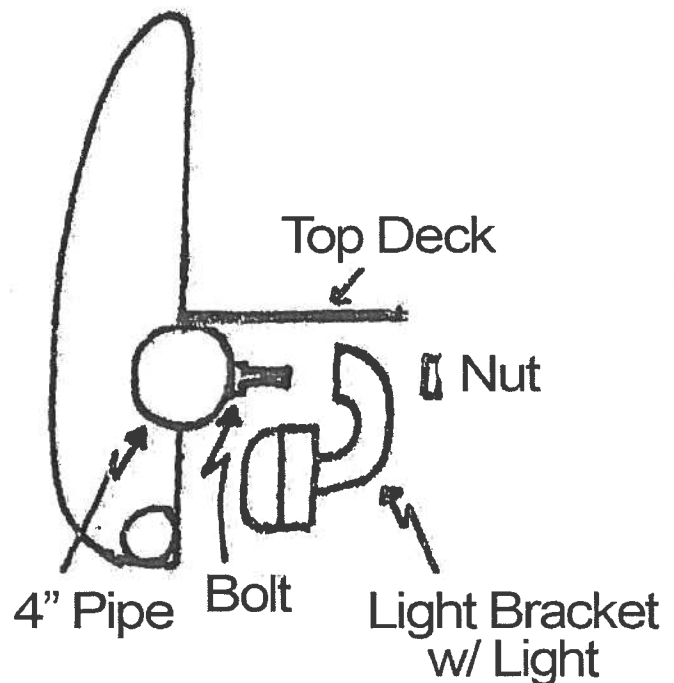
**Step 3** - Remove the light with the bracket from fron bumper.

**Step 4** - Place light bracket on the back of the replacement 4" pipe as shown.

## REPLACEMENT MOUNT



## LIGHT MOUNT



Replacement Horn

[www.cattlemanhd.com](http://www.cattlemanhd.com)

