

CATTLEMAN INSTALLATION SHEET

03-07 CHEVY 2500HD / 3500HD

PART # 2111

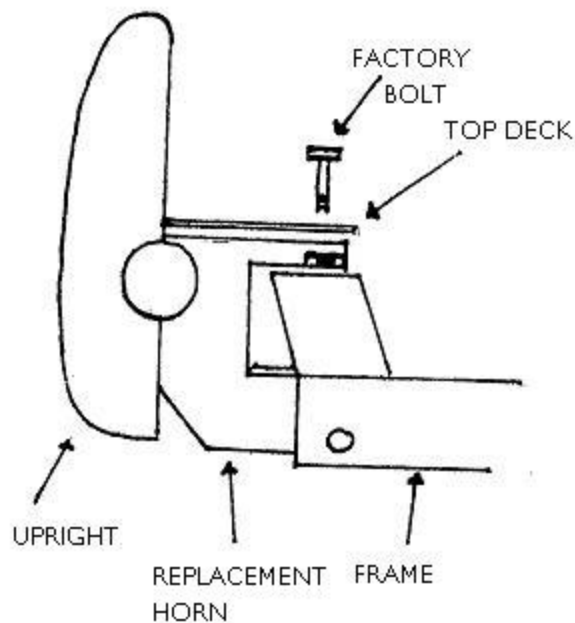
INSTALLATION KIT

WRAP	LIC. PLATE
2- 1/2x2" BOLT	2-1/4 x 3/4" BOLT
2- 1/2" NUT	2-1/4" NUT
2- 1/2" LOCK WASHER	2-1/4" LOCK WASHER
2- 1/2" FLAT WASHER	2-1/4" FLAT WASHER

- Step 1: Remove factory bumper.
- Step 2: Place front end replacement bumper to the front end of trunk.
- Step 3: Bolt replacement horn to the inside of the box frame and bolt top strap to the top of the box frame use same top bolt that you removed as shown:
- Step 4: Check alignment on the replacement bumper and tighten bolts.

NOTE: You may have to periodically retighten bolts.

REPLACEMENT MOUNT



BRACKET HORN MOUNT

