

CATTLEMAN INSTALLATION SHEET

11-14 CHEVROLET 2500HD / 3500 BULLNOSE

2096

BOLTS

2 - 3/8 x 1 1/2 Bolts

2 - 3/8 Nuts

2 - 3/8 Lock Washer

4 - 3/8 Flat Washer

Lic Plate

2 - 1/4 x 3/4 Bolts

2 - 1/4 Nuts

2 - 1/4 Flat Washer

2 - 1/4 Lock Washer

Step 1 - Remove factory bumper, remove the side bumper bracket.

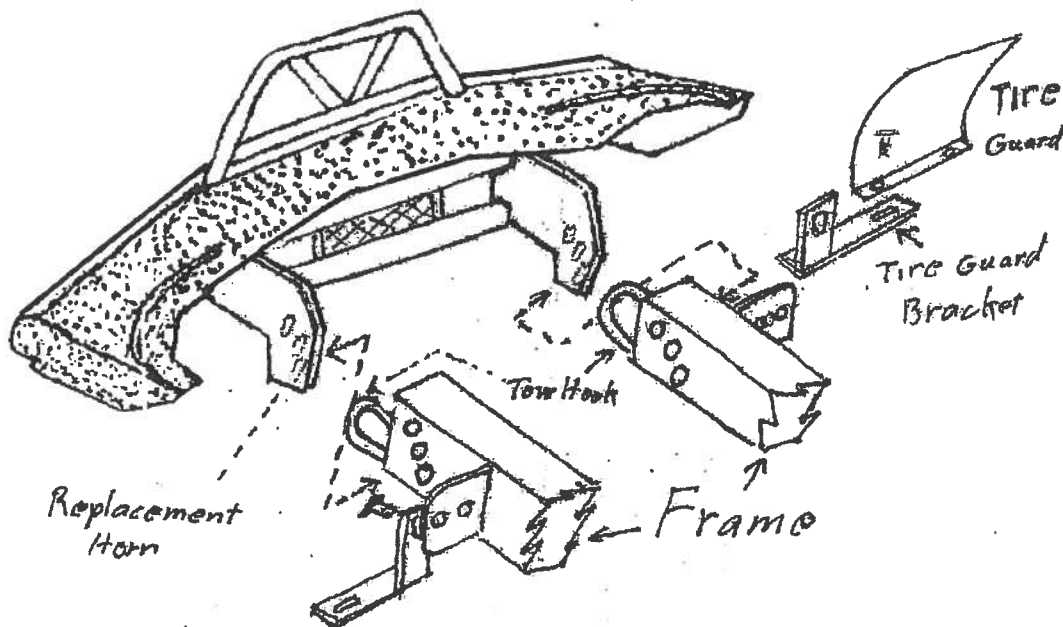
Step 2 - Remove tow hook.

Step 3 - Put replacement bumper in place and bolt on with the same factory bolts. Once replacement bumper is in place, put two hooks back on. Bolt on with factory bolts.

Step 4 - Put plastic tire guard bracket to the side of factory bracket frame hole and to the plastic guard as show.

Step 5 - Check alignment on the replacement bumper and tighten bolts.

Step 6 - You may need to periodically retighten the bolts.



www.cattlemanhd.com

