

CATTLEMAN INSTALLATION SHEET

03-07 CHEVROLET 2500HD/3500 (CLASSIC) BULLNOSE

2093

BOLTS

2 - 1/2 x 2" Bolt

2 - 1/2" Nut

2 - 1/2" Lock Washer

4 - 1/2" Flat Washer

Lic Plate

2 - 1/4 x 3/4 Bolts

2 - 1/4 Nuts

2 - 1/4 Flat Washer

2 - 1/4 Lock Washer

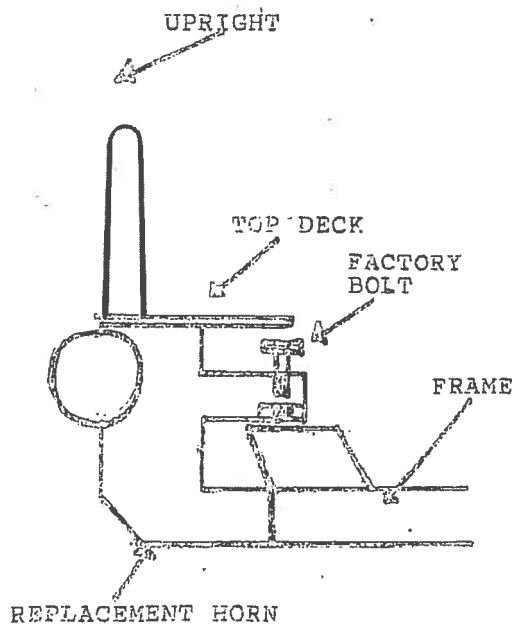
Step 1 - Remove factory bumper

Step 2 - Place front end replacement bumper to the front end of your truck.

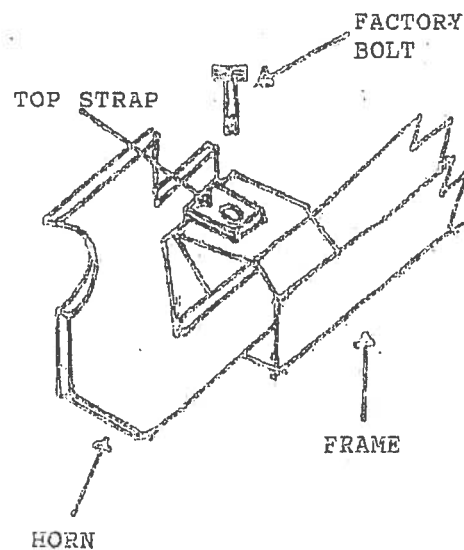
Step 3 - Bolt replacement horn to the inside of the box frame and bolt top strap to the top of the box frame use the same top bolt that you remove as shown.

Step 4 - Check alignment on the replacement bumper and tighten bolts.

REPLACEMENT MOUNT



BRACKET HORN MOUNT



www.cattlemahd.com

