

CATTLEMAN INSTALLATION SHEET

07-10 CHEVROLET 2500HD/3500 BULLNOSE

2091

BOLTS

- 2 - 1/4 x 3/4" Bolt
- 2 - 1/4" Nut
- 2 - 1/4" Lock Washer
- 2 - 1/4" Flat Washer

Step 1 - Remove factory bumper, tow hooks, and front end top frame brackets.

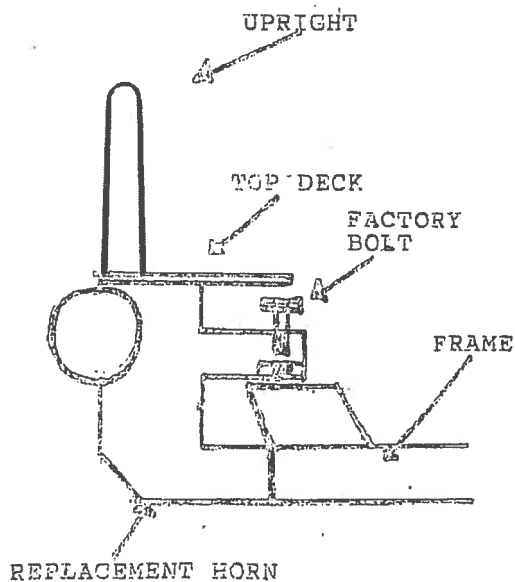
Step 2 - Put replacement bumper in place. Horn brackets should be on the outside of the frame.

Step 3 - Once bumper is in place, put tow hooks back on.

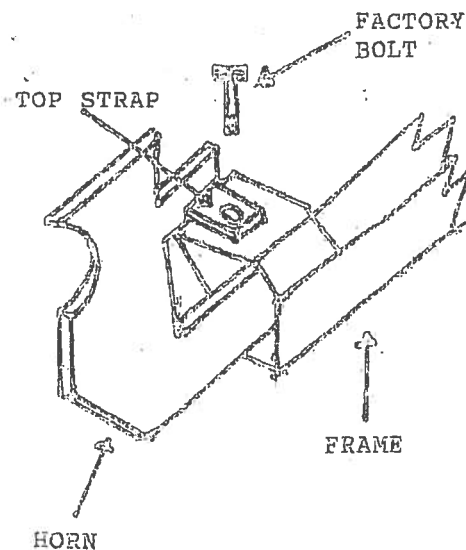
Step 4 - Check alignment on the bumper and tighten bolts.

Step 5 - You may need to periodically retighten bolts.

REPLACEMENT MOUNT



BRACKET HORN MOUNT



www.cattlemahd.com

