

CATTLEMAN INSTALLATION SHEET

04-05 TOYOTA TUNDRA 4 DR

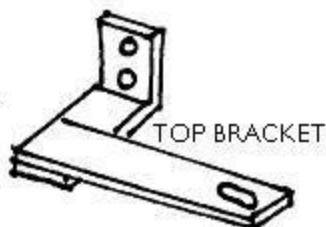
PART # 1520

INSTALLATION KIT

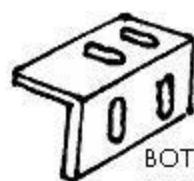
- 10- 1/2x1 1/2" BOLT
- 10- 1/2" NUT
- 10 1/2" LOCK WASHER
- 20- 1/2" FLAT WASHER

- Step 1: Open hood and bolt top bracket to the inside panel hole as shown:
NOTE: Top brackets are left and right.
- Step 2: Remove tow hook factory bolts. Place bottom bracket and tow hooks and bolt on with the same factory bolts as shown:
- Step 3: Bolt grille guard to the bottom bracket and to the top bracket as shown:
- Step 4: Check alignment on the grille guard and tighten bolts.

NOTE: You may have to periodically retighten the bolts.

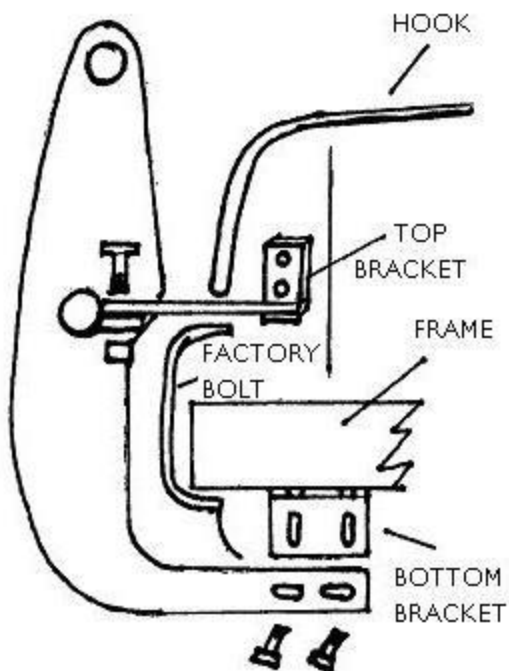


TOP BRACKET

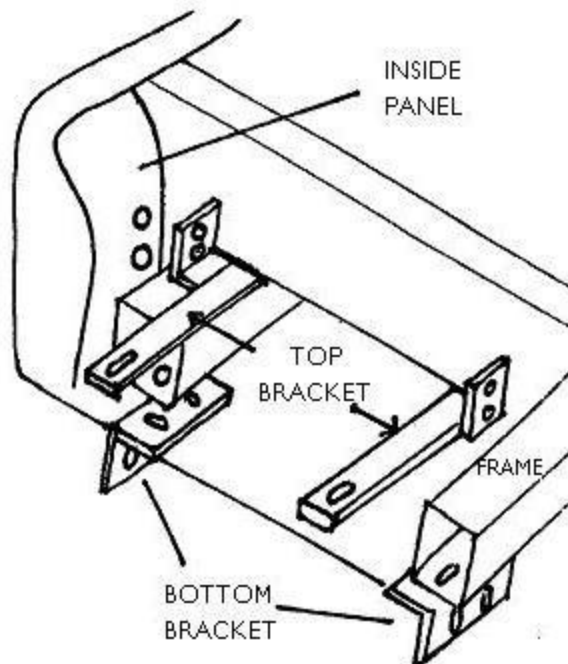


BOTTOM BRACKET

GRILLE GUARD MOUNT



BRACKET MOUNT



www.cattlemanhd.com

