

CATTLEMAN INSTALLATION SHEET

99-02 GMC 1/2 TON

99-06 GMC YUKON

PART # 1410

INSTALLATION WRAP

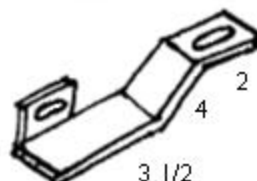
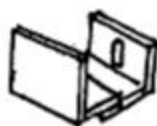
2- 1/2 X 2" BOLT
6- 1/2 X 1 1/2" BOLT
8- 1/2" NUT
8- 1/2" LOCK WASHER
16- 1/2" FLAT WASHER

STEP # 1 BOLT ANGLE BRACKETS ON THE INSIDE BETWEEN BUMPER AND FRAME AS SHOWN.

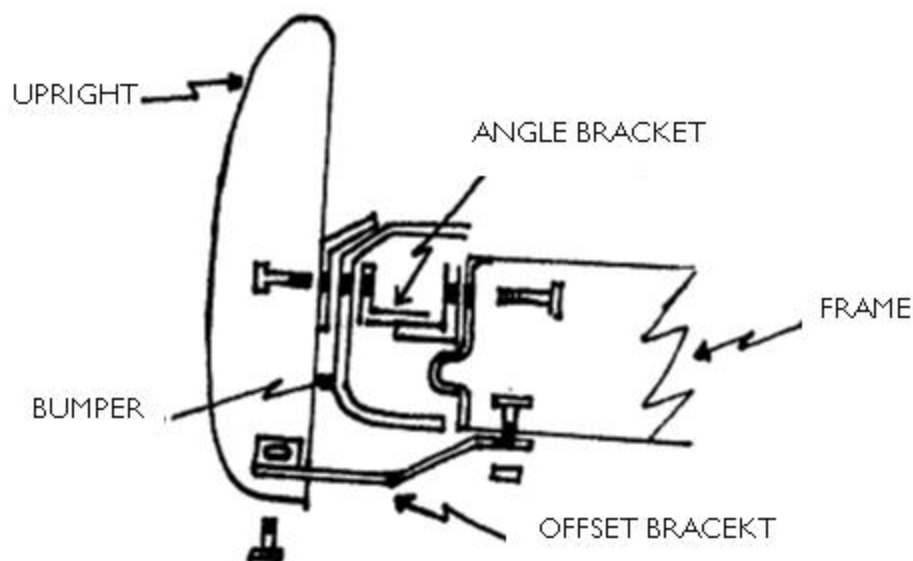
STEP # 2 CENTER GRILLE GUARD TO FRONT END OF YOUR TRUCK . MARK HOLES AND DRILL 9/16 HOLES
BOLT GRILLE GUARD.

STEP # 3 PLACE OFFSET BRACKET TO THE FRAME AND TO THE GRILLE GUARD AS SHOWN.

STEP # 4 CHECK ALIGNMENT ON THE GRILLE GUARD AND TIGHTEN BOLTS.



GRILLE GUARD AND BRACKET MOUNT



www.cattlemanhd.com

