

CATTLEMAN INSTALLATION SHEET

06-09 DODGE 2500 LARAMINE EDITION

PART # 1233

INSTALLATION KIT

- 8- 1/2" X 2" BOLT
- 8- 1/2" NUT
- 8- 1/2" LOCK WASHER
- 16- 1/2" FLAT WASHER

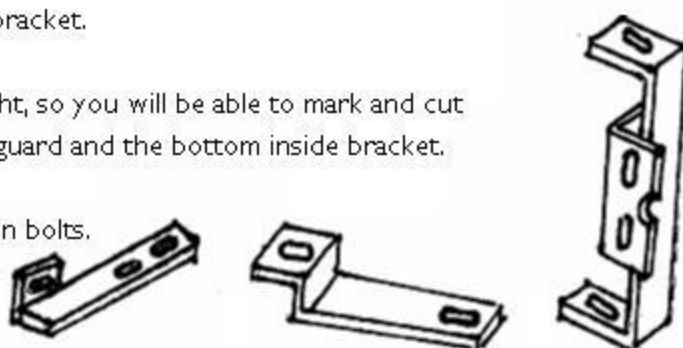
Step 1: Remove inside factory nuts between the frame as shown, place the short side to the top

Step 2: Place "Z" bracket to the grille guard tap. Place grille guard to the front end of truck and bolt "Z" bracket to the top of the inside bracket.

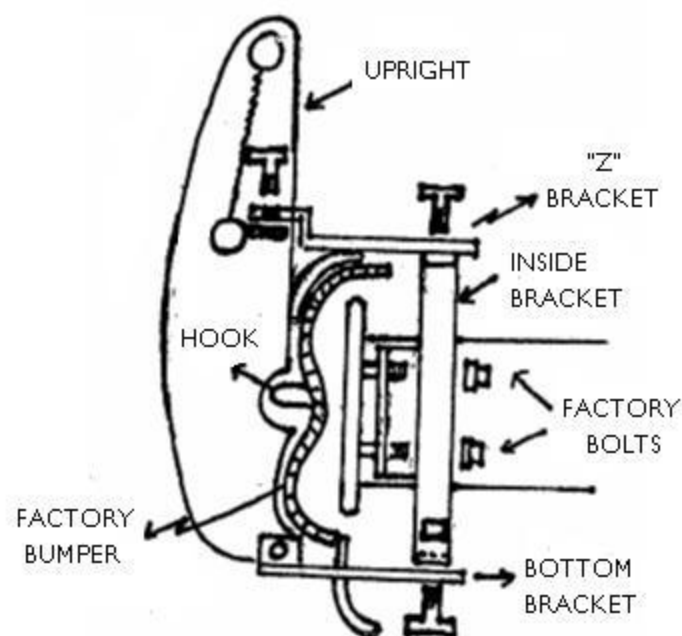
Step 3: Place bottom bracket on the side of the upright, so you will be able to mark and cut a hole on the plastic gaurd, then bolt to grille guard and the bottom inside bracket.

Step 4: Check alignment on the grille guard and tighten bolts.

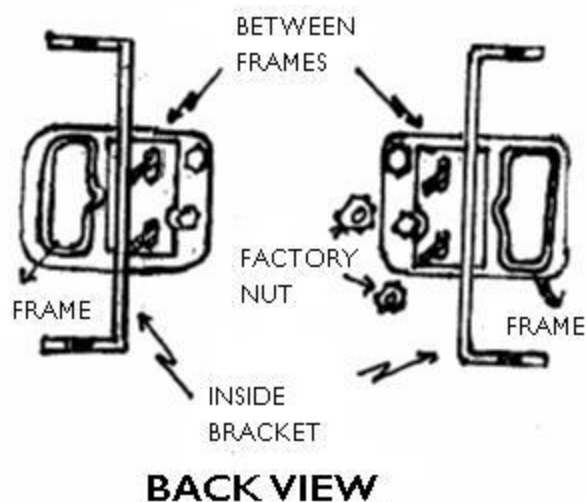
Step 5: You may need to periodically re-tighten bolts



GRILLE GUARD MOUNT



INSIDE BRACKET MOUNT



www.cattlemanhd.com

